



Assembly Manual

Arcade cocktail cabinet riser

RA-CABINET-COCKTAIL-RISE

©RetroArcade.us

LEGAL DISCLAIMER:

Holland Computers will not be held liable for any incidental or consequential damages for breach of any expressed or implied warranty of the Arcade cabinet, nor an incidental or consequential damage to this assembly. Under no circumstance shall Holland Computers liability exceed the purchase price. Holland Computers reserves the right to refuse to honor this warranty if any of above exceptions caused the product design and/or structural integrity to fail.

WARRANTY:

Holland Computers (we, us) warrants this product against defect in workmanship and materials for a period of 30 days from the original date of purchase. If we determine that the product is defective, we will replace the defective part or the entire product at our discretion. We will warrant any replacement parts against defects in materials or workmanship for the remainder of the original warranty period. This product was designed and intended for light duty, residential use. Improper installation, abuse, improper use of the product or use of this product in a commercial environment will void this warranty.

WARNING

By using these documents you agree hereto:

1. You are qualified to install the components contained in this package and that any damage to the component, device the component is being installed into, or injury to yourself or others is solely your responsibility.
2. You will install this component according to the supplied instructions inside this package.

NO LIABILITY FOR CONSEQUENTIAL DAMAGES. To the maximum extent permitted by applicable law, in no event shall Holland Computers, Inc. or its suppliers be liable for any damages whatsoever (including, without limitation, damages for loss of business profit, business interruption, loss of business information, or any other pecuniary loss) arising out of the use of, or inability to use, this product, even if Holland Computers, Inc. has been advised of the Possibility of such damages. Because some states/jurisdictions do not allow the exclusion or limitation of liability for consequential or incidental damages.

TOOLS NEEDED



Rubber Mallet



Razor Knife

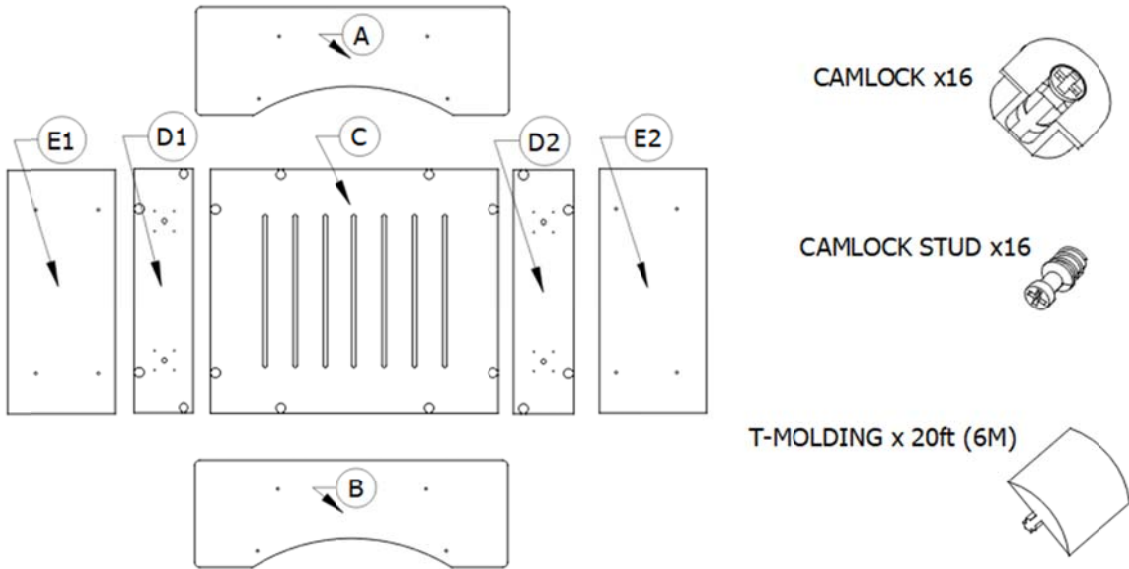


#2 Phillips Stubby Screwdriver



#2 Phillips Screwdriver

PARTS INCLUDED



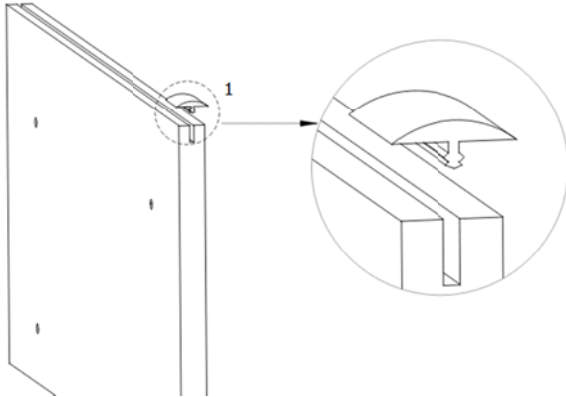
*Parts D1 and D2 are identical. *Parts E1 and E2 are identical.

You may also want to consider purchasing RA-LEG-LEVELER-1 which is not included.

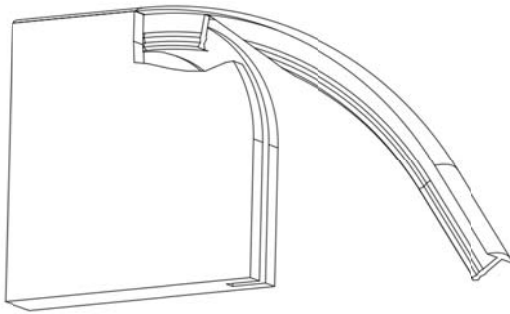


ASSEMBLY INSTRUCTIONS

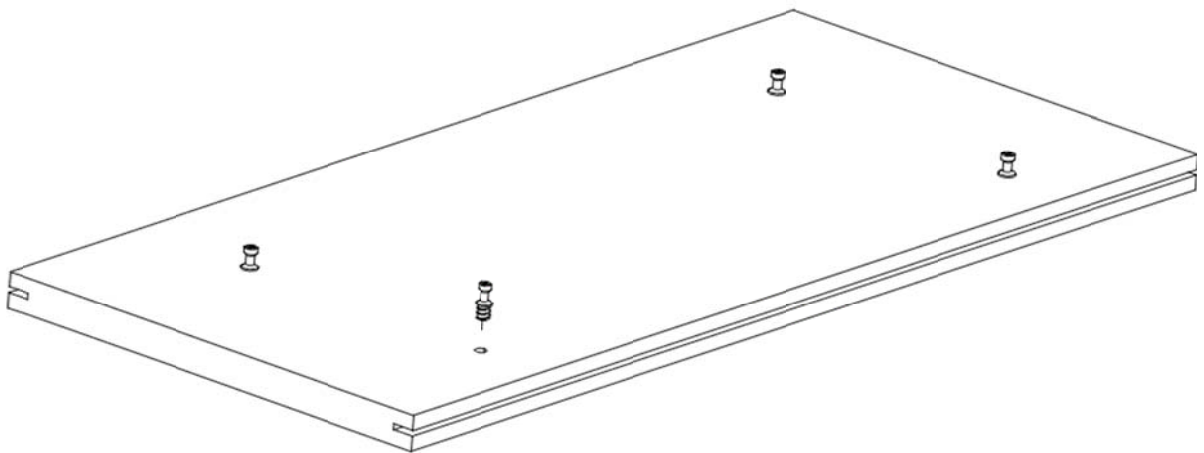
1. Install T-Molding in all of the slotted parts and trim to fit.



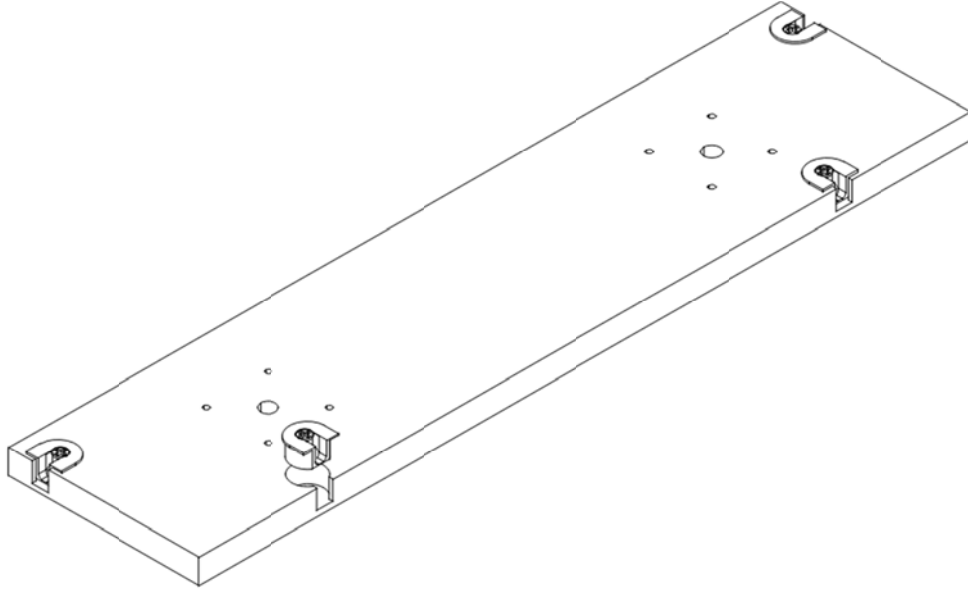
When making tight bends, it helps to cut a notch in the underside of the T-Molding as illustrated here. This will prevent the T-Molding from pulling out and creating gaps.



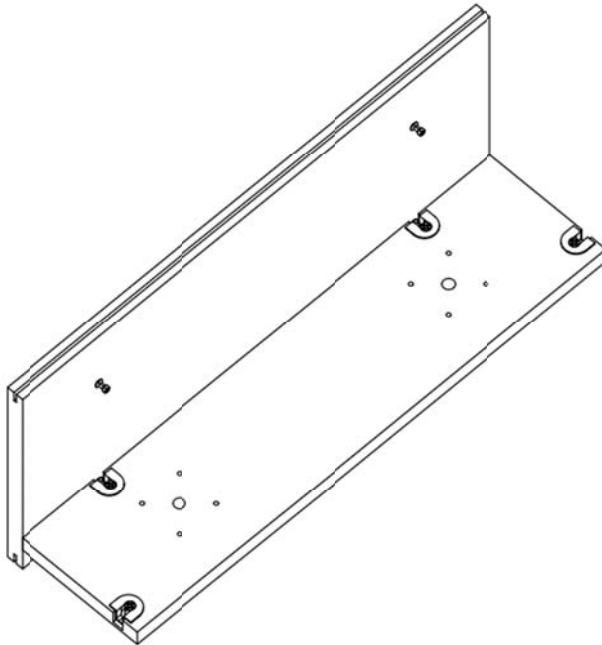
2. Install cam lock studs into parts A, B, E1 and E2. Apply light downward pressure while turning. Avoid over tightening, they should be tightened until just seated, no more.



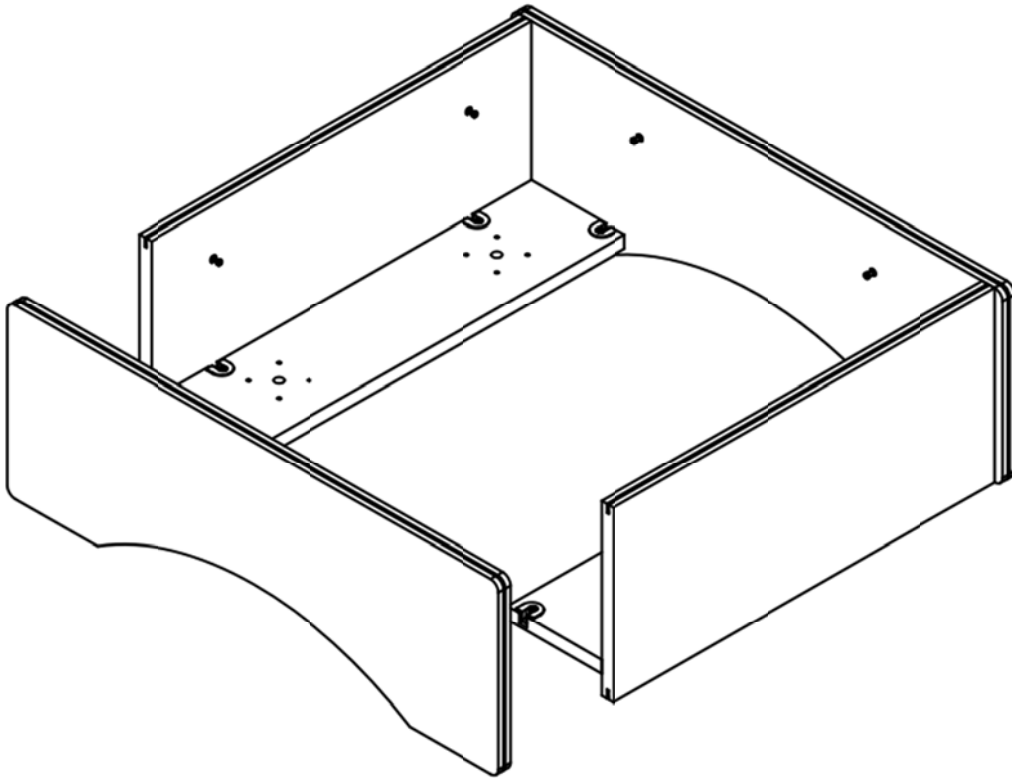
3. Install cam locks in parts C, D1 and D2. Orient the flat face parallel with the edge where it is being installed. Push the cam lock into position and then use a rubber mallet to drive it in until it sits flush.



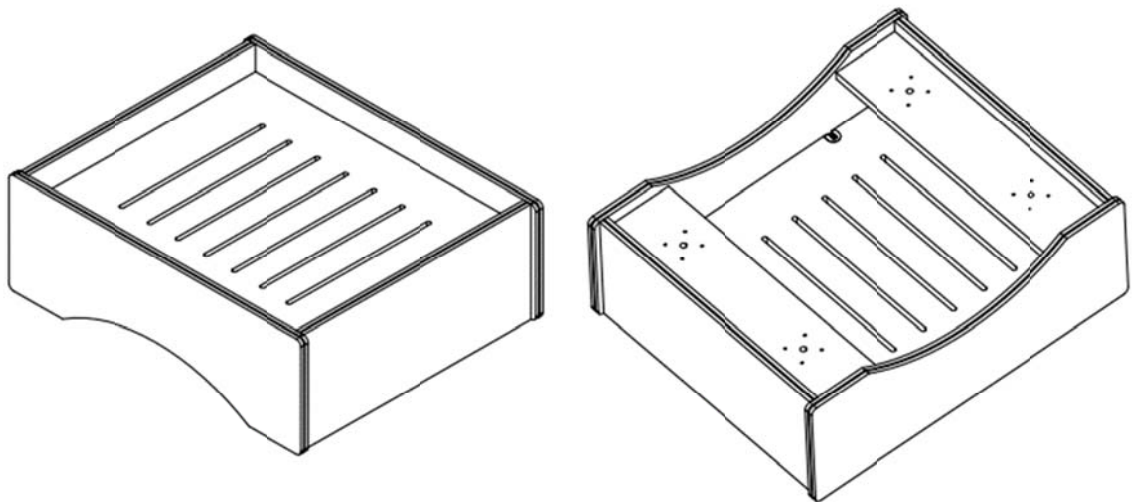
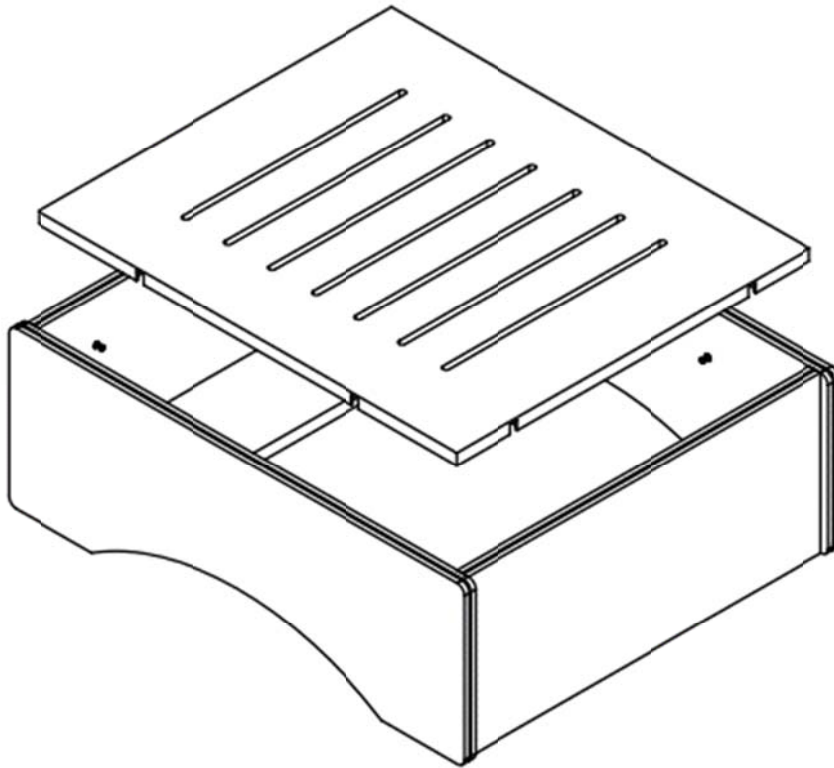
4. Assemble Parts E1 to D1 and E2 to D2 to make two sub-assemblies. You will notice that the distance from the edge to the cam lock studs is different comparing the top and bottom of the panel. The D Panels connect to the E panels using the studs closest to the edge. Use the #2 Phillips screwdriver to tighten the cam locks by hand, turning just enough to secure them. Do not over tighten, this can damage the cam locks and weaken them.



5. Add the A and B panels to the E-D subassemblies and secure the cam locks. The subassemblies will want to pivot on the A and B Panels, be careful to not allow excessive movement to avoid damaging the T-Molding or the panels.



6. Install the C Panel, use the #2 Philips stubby screwdriver to secure the cam locks. This is best done by turning the assembly on its side and then inserting the C Panel from the opposite side. Tighten the cam locks to the A and B Panels first. When tightening the E Panels to A and B panels, be sure to apply a little pressure to make sure the panels are together before turning the cam locks.



CONTACT INFORMATION

Holland Computers, Inc.

C/O RetroArcade.US

483 N. Abbe Rd. Elyria, Ohio 44035

440-365-9906

www.hollandcomputers.com

www.retroarcade.us

COPYRIGHT 2021 Holland Computers, Inc. ALL RIGHTS RESERVED